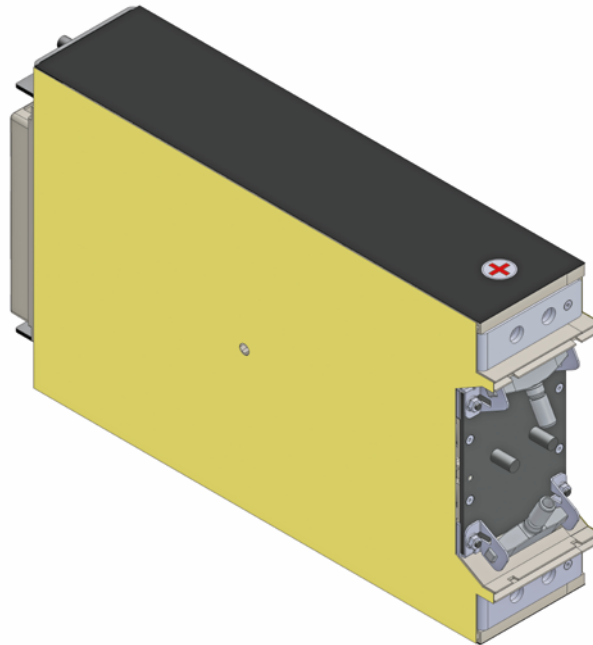

Octillion Power Module



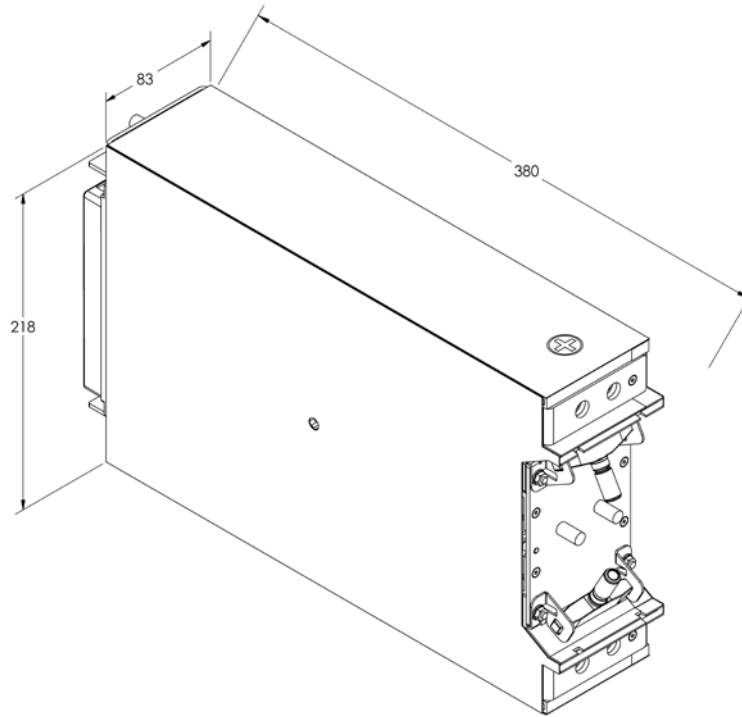
High Power Module for Motive, Mobile, and Stationary Applications

Specifically designed for high power electric applications, this rugged, liquid-cooled, 50V, 1.7kWh module, is designed to be adapted to a wide variety of markets including auto, defense, marine, and mobile power using the latest 21700 cell technology from the top cell manufacturers.

Features

- High power density 21700 cylindrical NCA cell technology
- Integrated battery management system board with ISOSPI communication
- Liquid-cooled for optimal thermal performance
- Configurable in series or parallel configuration to match required power architecture
- UN38.3 Certified. Validated using GBT standard

Physical Dimensions



Technical Specifications

| | |
|--|--|
| Voltage - Nominal | 50.4 (V) |
| Voltage - Range | 35 - 58.8 (V) |
| Energy Capacity - Nameplate | 33.6/1.7 kWh |
| Continuous Discharge Current/Power | 67.2/3.4 kW |
| Peak Discharge Current/Power ($\leq 5s$) | 600A/23.5kW |
| Continuous Charge Current | 33.6A |
| Peak Charge Current/Power ($\leq 10s$) | 67.2A |
| Mass (Dry) | 10kg (22lb) |
| Dimensions ¹ | 380 × 210 × 83mm (14.9 × 8.2 × 3.2in) |
| Specific Energy | 170 Wh/kg |
| Specific Power | 2350W/kg |
| Discharge Operating Temp | -20°C to 50°C |

| | |
|---|----------------------------------|
| Charge Operating Temp | 0°C to 45°C |
| Ideal Storage Temperature | 5°C to 25°C |
| Safety and Certification | UL1642(cells), UN38.3(module) |
| Cooling System | Liquid-cooled |
| Recommended Depth of Discharge ² | 80% |
| BMS Architecture | Integrated Slave Board |
| Communication | ISO SPI |
| Ingress Protection (IP) Rating | Not Applicable |
| Expected Cycle Life ³ | ≥ 500 Cycles |
| Warranty | 1 year |

- 1 Cable & connector keep-out areas not included in these dimensions
- 2 For optimal performance and cycle life
- 3 25°C cell temperature and $\leq 0.3C$ charge/discharge rates at 80% DOD